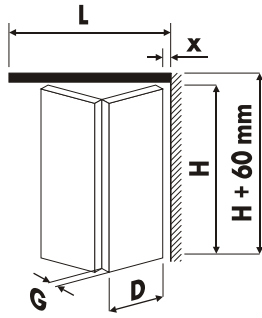


HERKULES *plus*

1.



	D max.
25 kg	600 mm
40 kg	750 mm

2 x 25 kg
2 x 40 kg

4 x 25 kg
4 x 40 kg



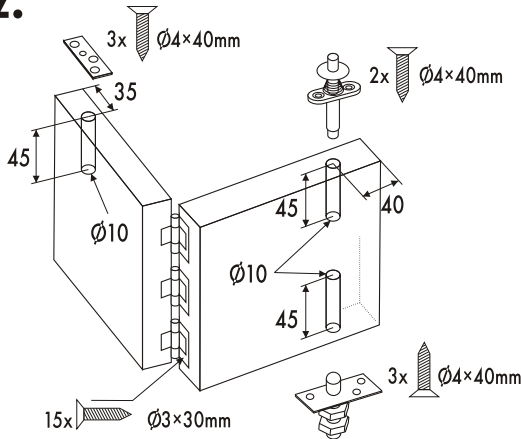
$$D = \frac{L - x - 5}{2}$$

$$D = \frac{L - 2x - 8}{4}$$

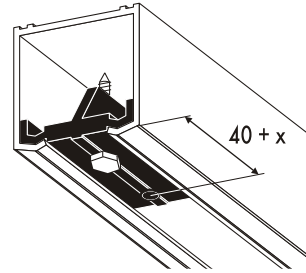
$$D = \frac{L - x - 8}{4}$$

G	16	18	22	25	28	32	40
x	2	2	3	3	4	4	6

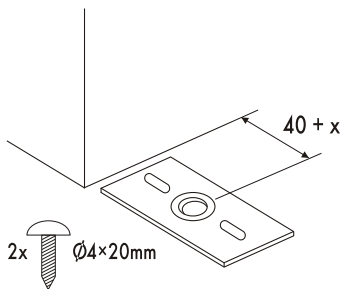
2.



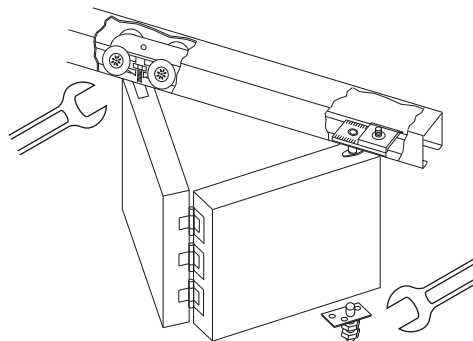
3.



4.



5.



060901



VALCOMP Sp. z o.o., ul. Boruty 2A, 03-769 Warszawa
tel. (22) 818 77 22, biuro@valcomp.com.pl, www.valcomp.com.pl