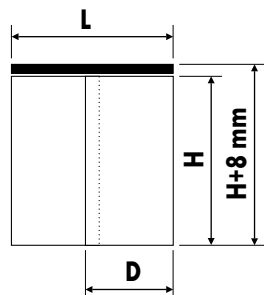


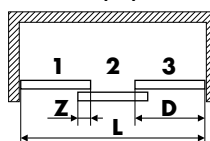
ARES 2

1.

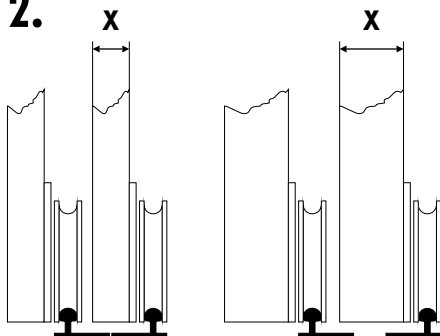


$$D = \frac{L + (n - 1) \cdot Z}{n}$$

$n = 1, 2, 3...$



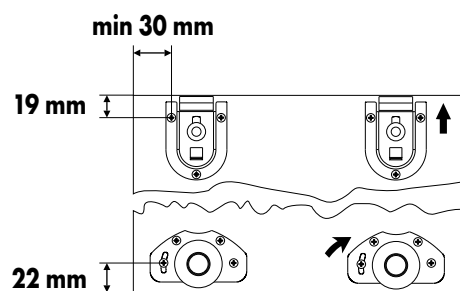
2.



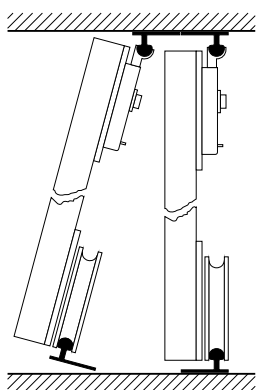
$X \leq 18 \text{ mm}$

$X > 18 \text{ mm}$

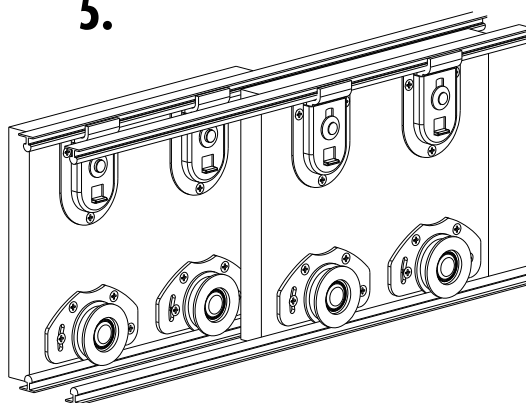
3.



4.



5.



VALCOMP

VALCOMP Sp. z o.o., ul. Boruty 2A, 03-769 Warszawa
tel. (22) 818 77 22, biuro@valcomp.com.pl, www.valcomp.com.pl